

USER MAUNAL OF BSW 380W



1. Maintenance

To reduce the risk of electrical shock or fire, do not expose this unit to rain or moisture.

Intermittently using will extend this item's service life.

Please clear the fan ,fan net , and optical lens in order to keep good work state.

Do not use the alcohol or any other organic solvent to wipe the shell.

2. Statement

The product has perfect performance and integrity packing. All users should be strictly complying with the warning and operating instructions as stated. Or we aren't in charge of any result by misusing. Any damage resulting by misuse is not within the Company's warranty. Any fault or problem caused by neglecting the manual is also not in the charge of dealers.

Note: All information is subject to change without prior notice.

3. Safety Precaution

In order to guarantee the product's life, please don't put it in the damp places or even the environment over 60degrees.

Always mount this unit in safe and stable matter.

Install or dismantle should operate by professional engineer.

Using lamp , the change rate of power voltage should be within $\pm 10\%$, If the voltage is too high, it will shorten the light's life; If it's not enough, will influence the effect.

Please restart it 20 minutes later after turning off light , until full-cooling.

Frequent switching will reduce the life span of lamps and bulbs; intermittent using will improve the life of bulbs and lamps.

In order to make sure the product is used well, please read the Manual carefully.

Rigging (Optional)

This equipment can be positioned and fixed by clamp in every direction of the stage. Locking system makes it easy to fasten to the bracket.

Attention! Two clamps is needed to fix the equipment. Every clamp is locked by fastener of 1/4 kind. Fastener can only be locked clockwise.

Attention! Fasten a safety string to the additional hole of side aluminum piece. The secondary accessory can not hang on the delivery handle. Nip the equipment on bracket.

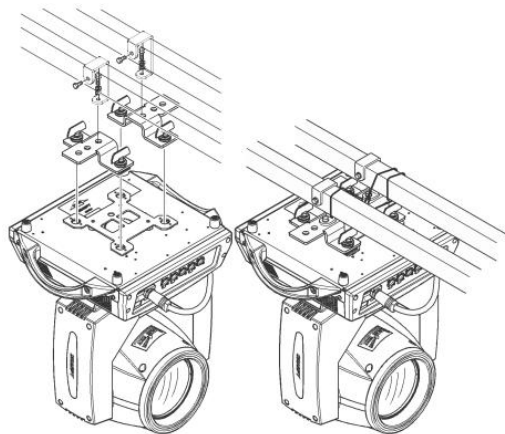
Check if rigging clamp (not including the one inside) damaged or not? If stand ten times weight as the equipment. Make sure the architecture can stand ten times weight as all the equipment, clamps, wiring and other additional fixtures.

Screws for clamping must be fixed firmly. Take one M12 screw (Grade 8.8 or higher) to clamp bracket, and then screw the nuts.

Level the two hanging points at the bottom of clamp. Insert fastener to the bottom, lock the two levers by 1/4 rotating clockwise; then install another clamp.

Install on safety string which stands at least ten times weight as equipment. Terminal of the accessory is designed for clamps.

Make sure pan/tilt lock unlocked or not. Keep the distance more than 1M from equipment to flammable material or lighting source.



4. Specification

Power supply: AC115/230V 50/60 Hz

Lamp: 380W light source

Power: 600W

Ballast: 380W multifunctional electronic ballast

Color temperature: 3200K-8000K

Beam angle: BEAM0-1.5° SPOT1.5°--40° Linear adjustable

Diffuser: 8°--60° independent soft light

Dimming: dual dimming version dimming, super smooth and flicker-free

High-speed strobe: double-chip strobe, synchronous and asynchronous strobe.

Strobe speed is adjustable from 0.3-20 times per second

Fixed color: 14 colors + white light

Fixed Gobo wheel: 12 patterns + white light + bidirectional jitter, animation, running water

Effect Gobo wheel: 4 patterns+white light

Rotating Gobo wheel: 7 patterns + white light + water ripples, with variable speed jitter effect, two-way variable speed flow effect; rotation gobos can be changed.

Prism: 8+6 (angle 10--20° can be zoomed freely

Focusing: using high-precision glass optical lens, linear electric zooming

Projection range: X-direction 2.9 seconds/540 degrees, Y-direction 1.5 seconds/270 degrees can automatically correct positioning

DMX channels: 20/24 channels

5. Lamp of size: 430X310X640mm

6. Net weight: 20.7KG

5.Channel list

24CH	20CH	Function	Value	Detail
CH1	CH1	X	0-255	0-540 degree
CH2	CH2	X fine	0-255	0-2 degree
CH3	CH3	Y	0-255	0-270degree
CH4	CH4	Y fine	0-255	0-1degree
CH5	CH5	XY speed	0-255	From fast to slow
CH6	CH6	Reset	100-105	Lamp off after 3s
			200-205	Lamp on after 3s
			210-215	XY reset after 3s
			220-235	Motor reset after 4s
			240-255	Reset after 3s
CH7	CH7	Color	0-127	White
			128-129	Color 1
			130-134	Color 2
			135-138	Color 3
			139-143	Color 4
			144-147	Color 5
			148-152	Color 6
			153-157	Color 7
			158-161	Color 8
			162-166	Color 9
			167-171	Color 10
			172-176	Color 11
177-180	Color 12			

			181-185	Color 13
			186-189	Color 14
			190-220	Clockwise from fast to slow
			221-224	Stop
			225-255	Anticlockwise from slow to fast
CH8		Color fine	0-255	
CH9	CH8	Gobo wheel 1	0-4	White
			5-9	Gobo 1
			10-14	Gobo 2
			15-19	Gobo 3
			20-24	Gobo 4
			25-29	Gobo 5
			30-34	Gobo 6
			35-39	Gobo 7
			40-44	Gobo 8
			45-49	Gobo 9
			50-54	Gobo 10
			55-59	Gobo 11
			60-64	Gobo 12
			65-69	Gobo 1 shaking from slow to fast
			70-74	Gobo 2 shaking from slow to fast
75-79	Gobo 3 shaking from slow to fast			
80-84	Gobo 4 shaking from slow to			

				fast
			85-89	Gobo 5 shaking from slow to fast
			90-94	Gobo 6 shaking from slow to fast
			95-99	Gobo 7 shaking from slow to fast
			100-104	Gobo 8 shaking from slow to fast
			105-109	Gobo 9 shaking from slow to fast
			110-114	Gobo 10 shaking from slow to fast
			115-127	Gobo 11 shaking from slow to fast
			128-190	Clockwise from fast to slow
			191-192	Stop
			193-255	Anticlockwise from slow to fast
CH10	CH9	Gobo wheel 2	0-14	White
			15-29	Gobo 1
			30-44	Gobo 2
			45-59	Gobo 3
			60-74	Gobo 4
			75-89	Gobo 1 shaking from slow to fast
			90-104	Gobo 2 shaking from slow to fast

			104-114	Gobo 3 shaking from slow to fast
			115-127	Gobo 4 shaking from slow to fast
			128-255	Changing gobos from slow to fast
CH11	CH10	Gobo wheel 3	0-9	White
			10-19	Gobo 1
			20-29	Gobo 2
			30-39	Gobo 3
			40-49	Gobo 4
			50-59	Gobo 5
			60-69	Gobo 6
			70-79	Gobo 7
			80-89	Gobo 1 shaking from slow to fast
			90-99	Gobo 2 shaking from slow to fast
			100-109	Gobo 3 shaking from slow to fast
			110-119	Gobo 4 shaking from slow to fast
			120-129	Gobo 5 shaking from slow to fast
			130-139	Gobo 6 shaking from slow to fast
140-149	Gobo 7 shaking from slow to fast			

			150-199	Clockwise from fast to slow
			200-255	Anticlockwise from slow to fast
CH12	CH11	Gobo rotation	0-127	0-360degree
			128-187	Clockwise from fast to slow
			188-195	Stop
			196-255	Anticlockwise from slow to fast
CH13		Rotation fine	0-255	
CH14	CH12	Prism 1	0-127	No function
			128-255	Prism 1
CH15	CH13	Prism1 rotation	0-127	0-360degree
			128-187	Clockwise from fast to slow
			188-195	Stop
			196-255	Anticlockwise from slow to fast
CH16	CH14	Prism 2	0-127	No function
			128-255	Prism 2
CH17	CH15	Prism 2 rotaion	0-127	0-360degree
			128-187	Clockwise from fast to slow
			188-195	Stop
			196-255	Anticlockwise from slow to fast
CH18	CH16	FROST	0-127	No function
			128-255	Frost
CH19	CH17	Enlarge	0-255	From small to big
CH20	CH18	Zoom	0-255	From far to close

CH21		Zoom fine	0-255	From far to close
CH22		No function	0-255	
CH23	CH19	Strobe	0-3	Open
			4-103	Function 1 from slow to fast
			104-107	Open
			108-207	Function 2 from slow to fast
			208-212	Open
			213-251	Function 3 from slow to fast
CH24	CH20	Dimmer	0-255	0-100% dimmer

6.Control mode

DMX	Console mode, receiving DMX signal, RDM signal	
Auto	Lights operate automatically according to the built-in program	
Sound	When the light detects a strong sound, will automatically run a scene according to the built-in program, otherwise the last scene will be maintained	
Scene mode 01	Run in the set scenario mode, and support custom editing of up to 10 scenarios	
	1~10	Output the specified scene
	Auto	Automatically output the scene in the sequence of the set scene time (not 0), and the scene with time 0 is automatically skipped and ignored
Master slave	Effective in non DMX mode, select the mode of data output, the light automatically detects DMX status and automatically switches output to prevent data conflict	

	Master	Light operates according to the built-in mode. If DMX has no signal, it will output data (synchronous), otherwise it will not output data
	Slave	Light operates according to the built-in mode and do not output data (other lamps are not synchronized)
	Auto	If there is no DMX signal, the light operates as built-in; otherwise, the light operates as DMX signal
Lamp on/off	(bulb light source) pop up the confirmation dialog box, select "sure" to confirm the current operation, turn on or off the bulb, and the switching time interval is limited to 30 seconds	
	On	Lamp on
	Off	Lamp off